



DUAL BNC FEMALE TO RJ45 BALUN FOR E1-E2

ELECTRICAL:

Exceeds ITU G.703 requirements .

Impedance matching : 75 ohms to 120 ohms .

Data transmitted rates : 2-8Mbps for E1-E2 .

Return Loss : -25db .

Insertion Loss : < 0.4db .

Both directional conversion .

No AC power or batteries needed .

Operating Temperature : 0-70°C .

MATERIALS :

NO	Q'TY	DESCRIPTION	Q'TY	REMARK
1	2SET	BNC FEMALE SOLDER TYPE	1	NICKEL(100u"~150u")
2	1SET	PLASTIC SET (TOP,BOTTOM&SIDE COVER*2)	1	ABS(UL94V-0)
3	1SET	PCB TYPE SHIELDED JACK,GOLD 50u")	1	CLASS FILLED POLYESTER (UL94V-0)
4	1SET	PCB SET (TRANSFORMER 1:1:26 *2, C1 1.0uF)	1	

Table 1

SCHEMATIC DIAGRAM :

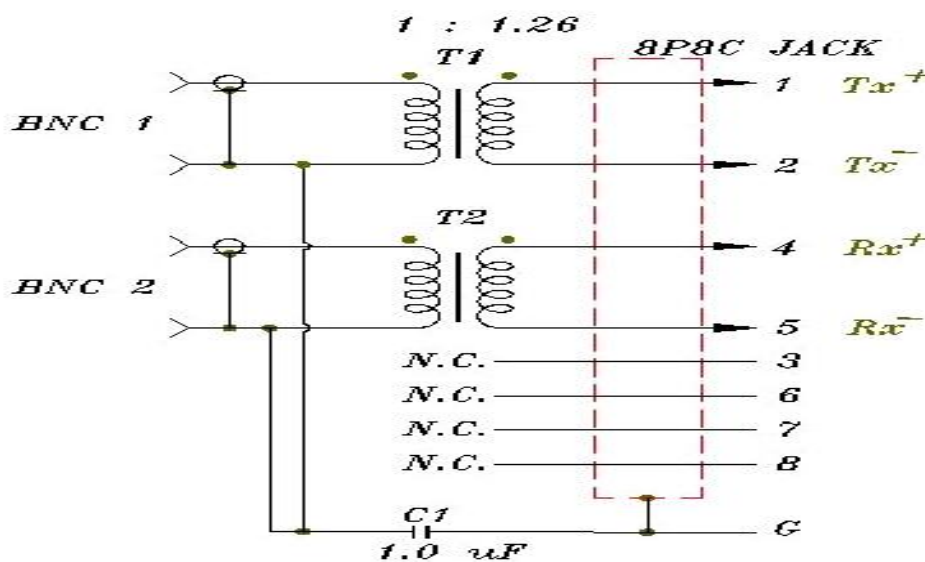
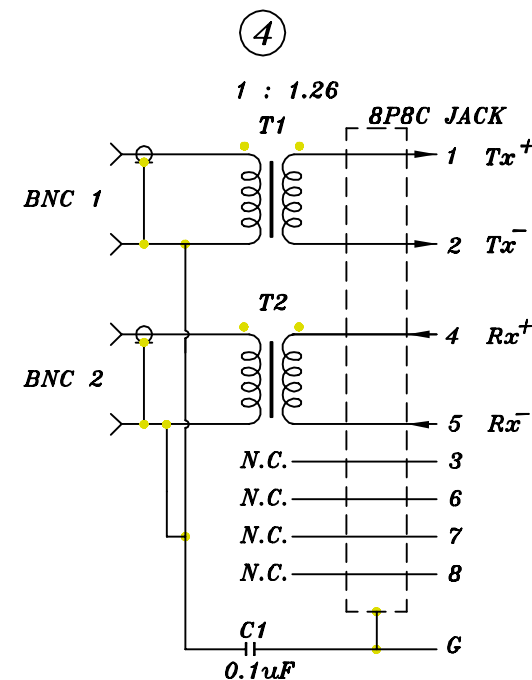
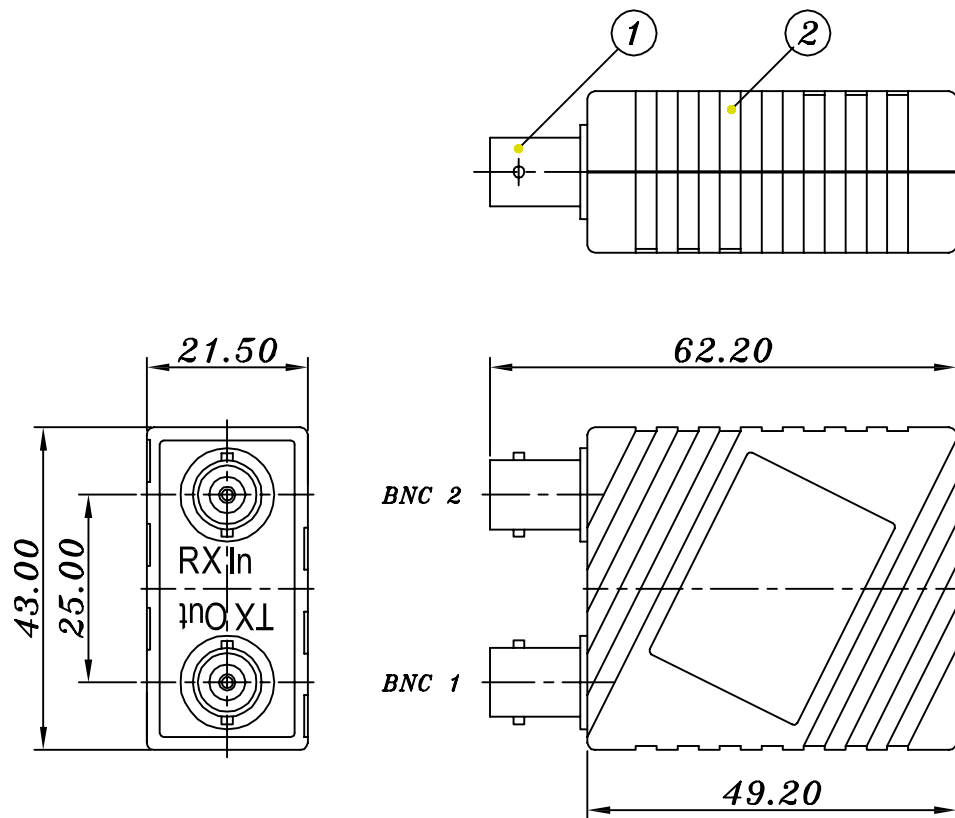


Figure 1



- *Data Rates to 2.048 Mbps
- *75 Ohm Dual Coax to 120 Ohm Twisted Pair
- *Bi-Directional Signal Conversion
- *No AC Power or Batteries Needed
- *Female Coax BNC Connectors Available

ITEM	Q'TY	DESCRIPTION	REMARK	MATERIAL	FINISH	CONTRACT NO.	APPROVALS	DATE	SIZE	PSCH NO.	DWG NO.	REV.	
4	1SET	PCB SET (TRANSFORMER 1:1.26 *2, C1 0.1uF)		GLASS FILLED POLYESTER UL94V-0		LEMAR ENTERPRISES CO.LTD G.703 BALUN (75 Ω :120 Ω) DOUBLE BNC FEMALE TO RJ45 SHIELDED JACK			A4		B166F209XS	A	
3	1SET	PCB TYPE SHIELDED JACK,GOLD 50u"					DRAWN	CHUNG	03/11 05'				
2	1SET	PLASTIC SET (TOP,BOTTOM&SIDE COVER*2)		ABS(UL94V-0)			CHECKED						
1	2SET	BNC FEMALE SOLDER TYPE		NICKEL(100u"-150u")			ISSUED						
PARTS LIST				DO NOT SCALE DWG.		SCALE 1 : 1		SHEET 1 OF 1					

Test reports

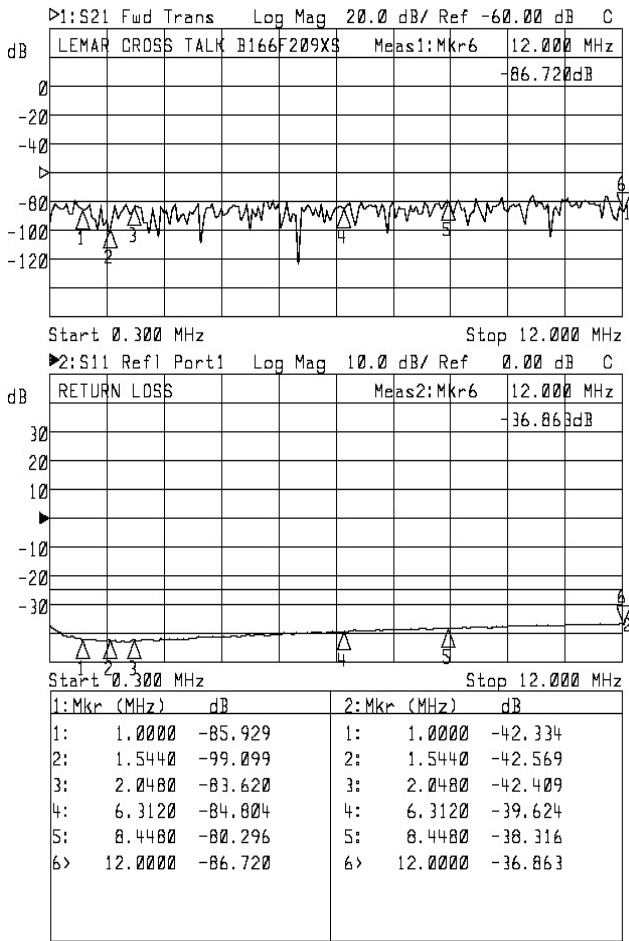


Figure 2

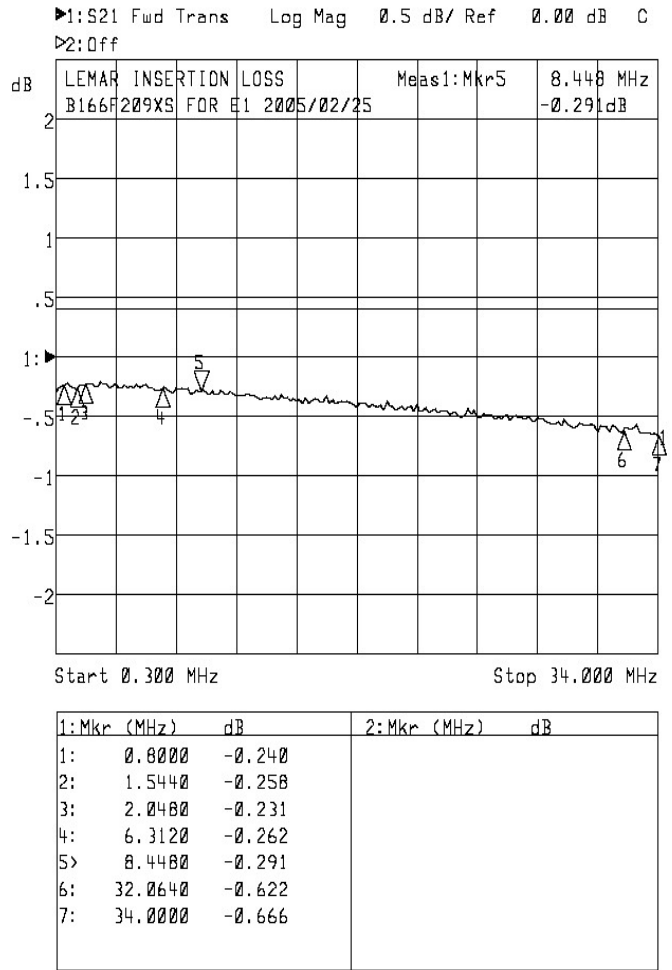
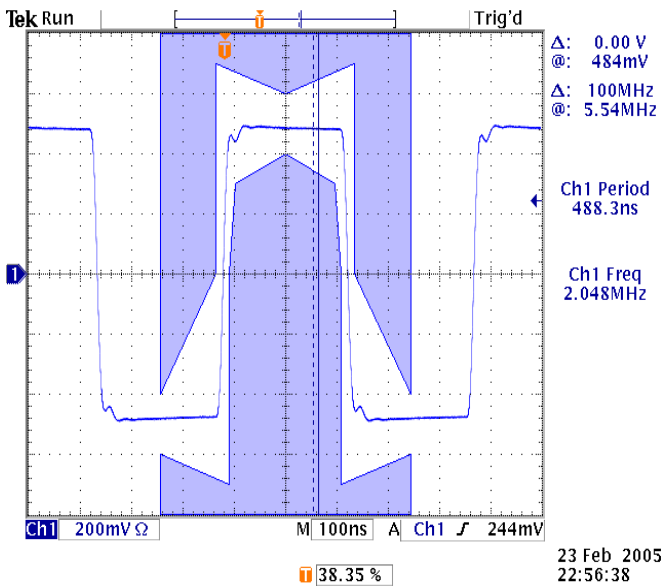
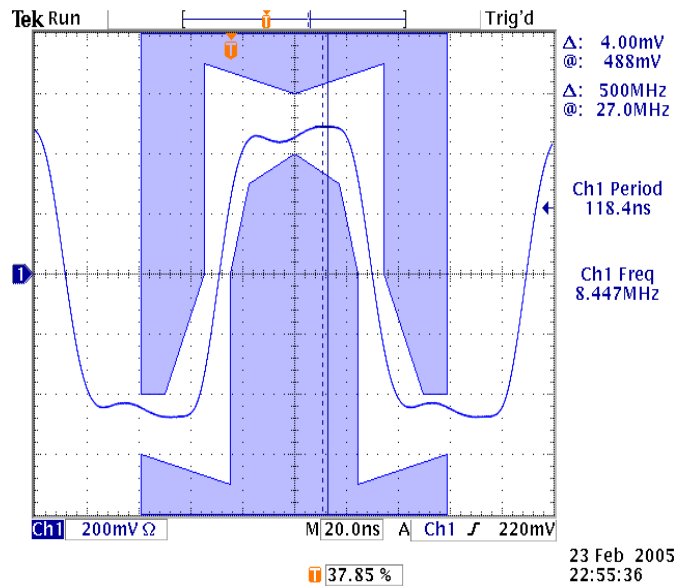


Figure 3



G.703 spec mask(2.048Mbps)

Figure 4



G.703 spec mask(8.448Mbps)

Figure 5