



KEYSTONE TYPE BNC FEMALE TO RJ45 UNSHIELDED JACK

ELECTRICAL:

- Exceeds ITU G.703 requirements .
- Impedance matching : 75 ohms to 120 ohms .
- Data transmitted rates : 2-8Mbps for E1-E2 .
- Return Loss : -29db for 2Mbps , -21db for 8Mbps .
- Insertion Loss : -0.2db for 2Mbps , -0.3db for 8Mbps .
- Both directional conversion .
- No AC power or batteries needed .
- Operating Temperature : 0-70°C .

MATERIALS :

NO	Q'TY	DESCRIPTION	FINISH
1	1	BNC FEMALE SOLDER TYPE	NICKEL(100u"~150u")
2	1	PLASTIC FOR COAX CONN.	PC UL94V-0
3	1	PLASTIC FOR RJ45	PC UL94V-0
4	1	RJ45 JACK, GOLD 50u"	
5	1	PCB SET (TRANSFORMER 1:1.26)	

Table 1

SCHEMATIC DIAGRAM :

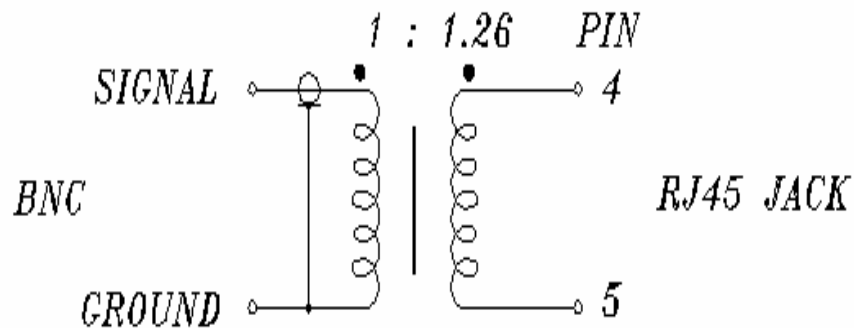
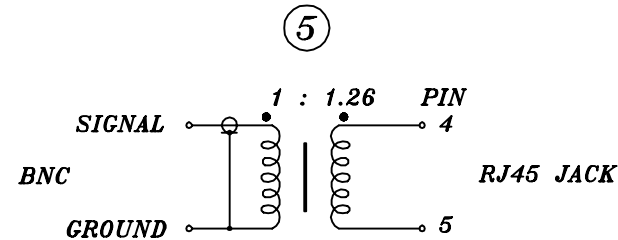
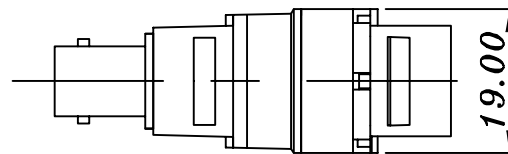
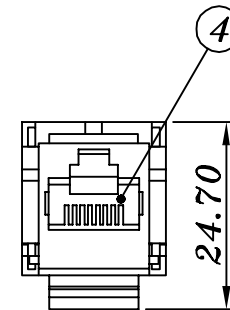
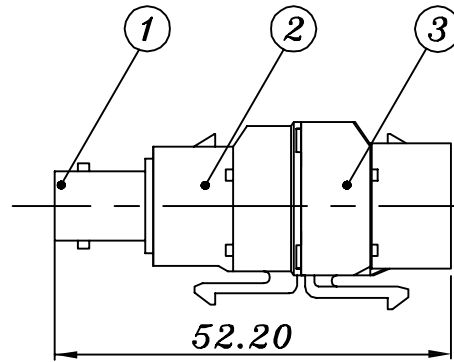


Figure 1

REV.	DESCRIPTION	DATE	APPROVED



- *Data Rates to 2.048 Mbps
- *75 Ohm Coax to 120 Ohm Twisted Pair
- *Bi-Directional Signal Conversion
- *No AC Power or Batteries Needed
- *male Coax BNC Connectors Available
- *Ultra-Miniature Enclosure

5	1SET	PCB SET (TRANSFORMER 1:1.26)	
4	1SET	RJ45 JACK, GOLD 50u"	
3	1SET	PLASTIC FOR RJ45	PC UL 94V-0
2	1SET	PLASTIC FOR COAX CONN.	PC UL 94V-0
1	1SET	BNC FEMALE SOLDER TYPE	NICKEL(100u"-150u")
ITEM	Q'TY	DESCRIPTION	REMARK

UNLESS OTHERWISE SPECIFIED
DIMENSIONS ARE IN INCHES mm
TOLERANCE ARE:
FRACTIONS DECIMALS ANGLES
X ±0.1
XX ±0.05

MATERIAL

FINISH

CONTRACT NO.

APPROVALS

DRAWN
CHUNG

CHECKED

ISSUED

DATE

04/06 05

LEMAR ENTERPRISES CO.LTD

G.703 BALUN FOR E1(75Ω:120Ω)
KEYSTONE TYPE BNC FEMALE TO
RJ45 UNSHIELDED JACK

SIZE

A4

FSCH NO.

DWG NO..

B160F200X

REV.

SCALE 1 : 1

SHEET 1 OF 1

DO NOT SCALE DWG.

PARTS LIST

Test reports

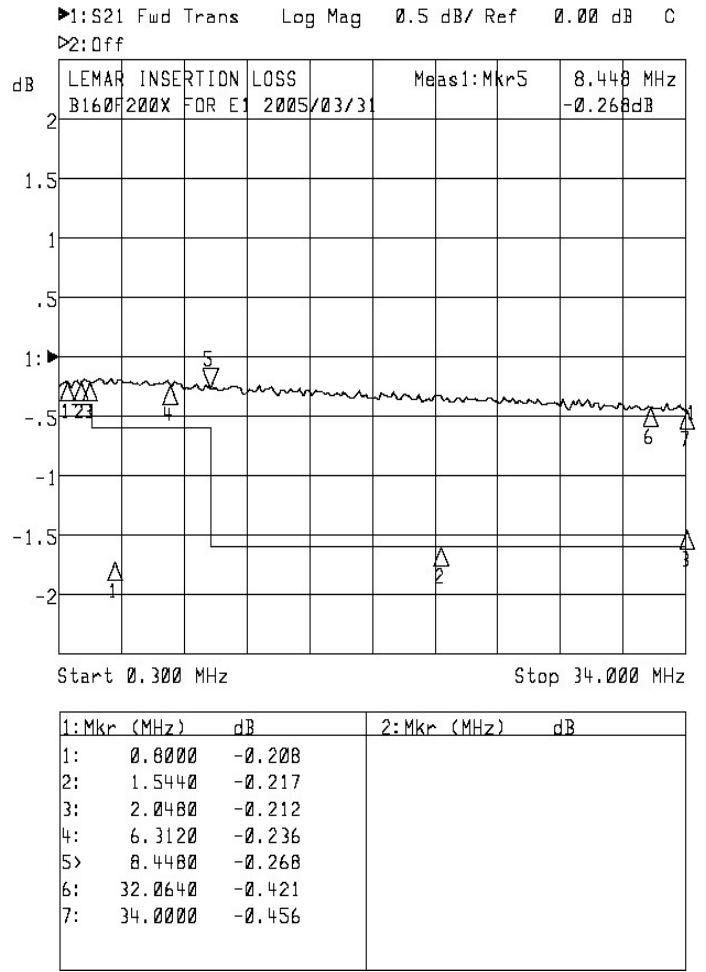
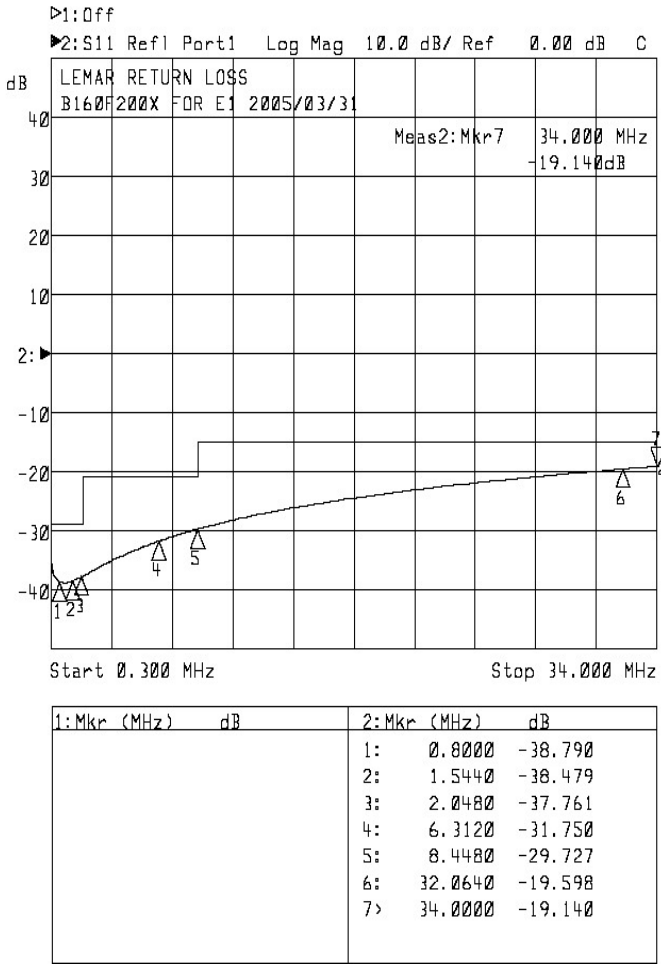
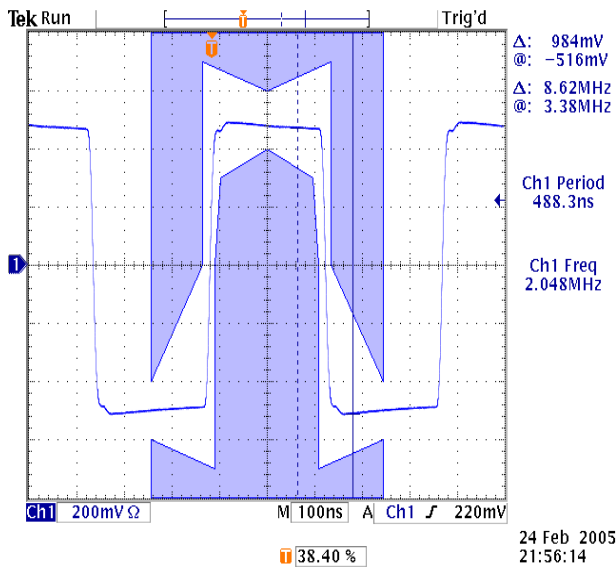


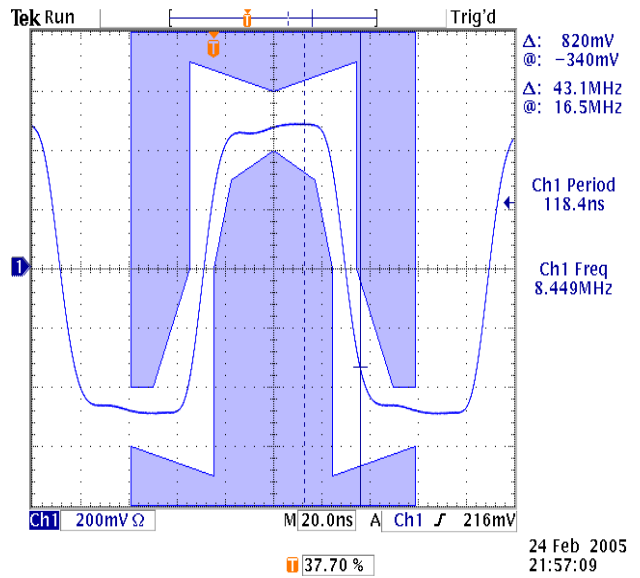
Figure 2

Figure 3



G.703 spec mask(2.048Mbps)

Figure 4



G.703 spec mask(8.448Mbps)

Figure 5