



# Lemar Industrial Corporation

51, Lane 40, Dashing Street, 704 Tainan, Taiwan R.O.C

Tel: +886-6-358-8686 | Fax: +886-6-358-9797 | Email: [sales@lemar.com.tw](mailto:sales@lemar.com.tw) | Web: [www.lemar.com.tw](http://www.lemar.com.tw)

## T-Adapter with Twinax Male A type

PN: 8001002

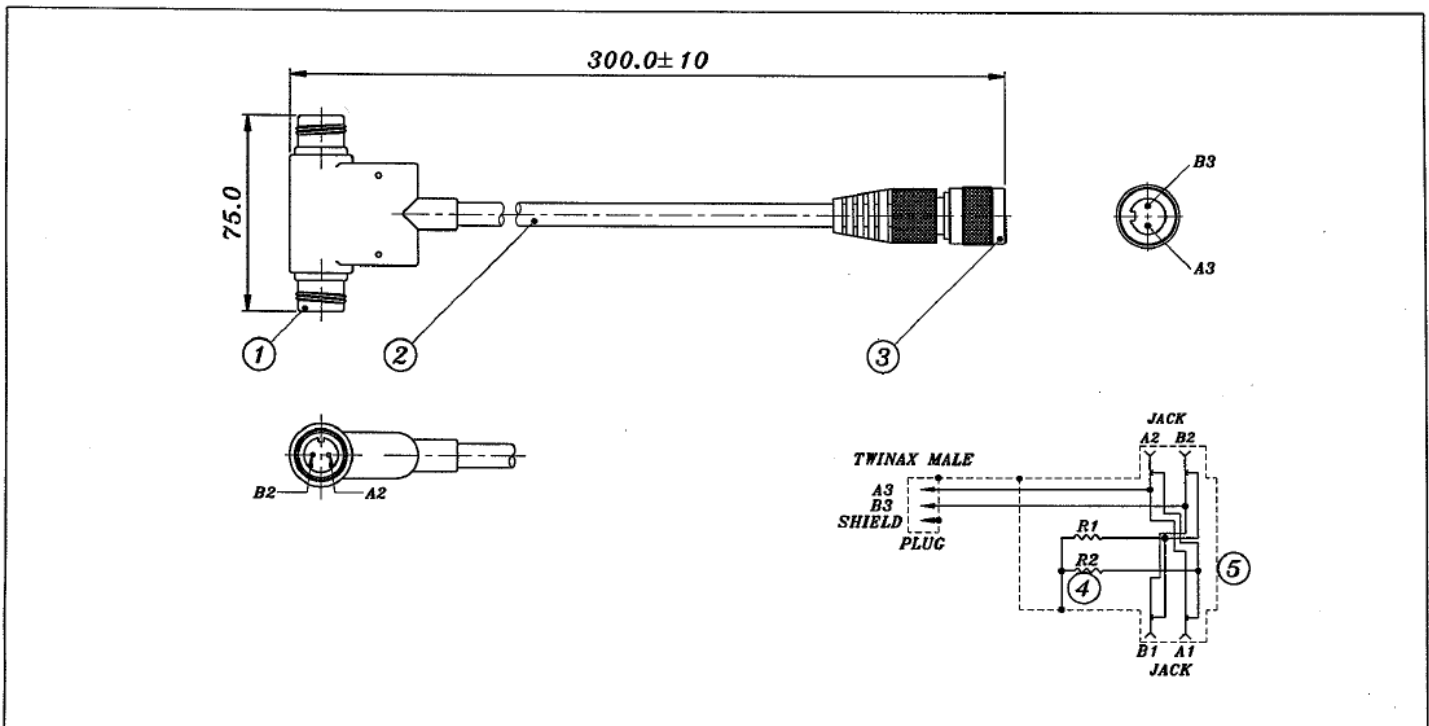


### Features:

- Twinax T-Adapter
- T shaped jack-to-jack
- Preventing loss of datas

### Description:

These automatic termination twinax T-assemblies incorporate a "T" shaped jack-to-jack function at one end for connection to the network, and a twinax plug matting with monitor or related peripheral equipment at the other end. The T assembly contains a resistor loaded automatic termination device within the tee, two failsafe mechanisms prevent open circuits and corresponding loss of data, should the connector be decoupled.



5	1PC	PCB
4	2PCS	RESISTOR 54.9Ω±1% 1/4W
3	1set	TWINAX MALE MOLDING TYPE
2	SEE DWG	TWINAXIAL CABLE, 2COND. 20AWG, 17TINNED BARE COPPER, 55%TINNED COPPER SHIELD, 1000, BLACK (GREY) PVC JACKET
1	1set	TWINAX FEMALE/FEMALE, PIN GOLD FLASH, MOLD BLACK (GREY) PVC JACKET
ITEM	QTY	DESCRIPTION
PARTS LIST		

UNLESS OTHERWISE SPECIFIED DIMENSIONS ARE IN INCHES mm		CONTRACT NO.		<b>LEMAR</b> ENTERPRISES CO.LTD	
TOLERANCE ARE: FRACTIONS DECIMALS ANGLES		APPROVALS			
XX ± 0.05		DATE		TWINAX T SELF TERMINATING BUS CABLE (F.F-TWINAX 3.4 KEY)	
MATERIAL		DRAWN			
FINISH		ISSUED		REV.	
DO NOT SCALE DWG.		SCALE 1 : 2		DWC NO. 8001002	

**Warranty:**

Seller warrants that this product is to be free from defect in materials and workmanship for one (1) year. The warranty given by seller is in lieu of any other warranties, express or implied. This warranty does not apply to units abused through misuse or subjected to improper and/or excessive voltage, beyond our control. Seller assumes no responsibility for damages or penalties incurred resulting from the use of this product. Seller's liability under any warranties shall be discharged by replacing or repairing, at our option, the defective product. Seller's liability for any product shall not exceed a refund of the purchase price. The warranty listed here is intended only as a summary of your full and complete warranty.

**Caution:**

Do not attempt to open the body. Opening the unit will void your warranty.