



DUAL BNC MALE (6" CABLE) TO RJ45 SHIELDED JACK BALUN FOR E1-E2

ELECTRICAL:

- Exceeds ITU G.703 requirements .
- Impedance matching : 75 ohms to 120 ohms .
- Data transmitted rates : 2-8Mbps for E1-E2 .
- Return Loss : < -25db .
- Insertion Loss : < 0.4db .
- Both directional conversion .
- No AC power or batteries needed .
- Operating Temperature : 0-70°C .

MATERIALS :

| NO | Q'TY | DESCRIPTION | FINISH |
|----|------|---|-----------------------------------|
| 1 | 2 | BNC MALE MOLDING TYPE | NICKEL(100u"~150u") |
| 2 | X | RG59 B/U COAXIAL CABLE | |
| 3 | 1 | PASTIC SET (TOP,BOTTOM&SIDE COVER) | ABS UL94V-0 |
| 4 | 1 | PCB TYPE SHIELDED JACK,GOLD 50u") | CLASS FILLED POLYESTER UL94V-0 |
| 5 | 1 | PCB SET (TRANSFORMER 1:1.26 *2, C1 1uF) | |

Table 1

SCHEMATIC DIAGRAM :

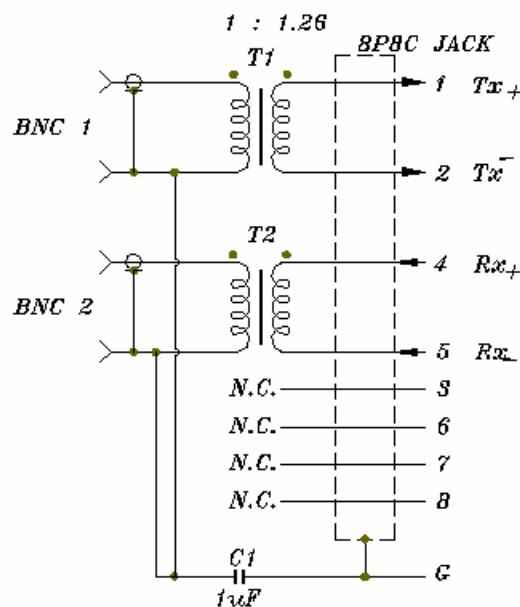
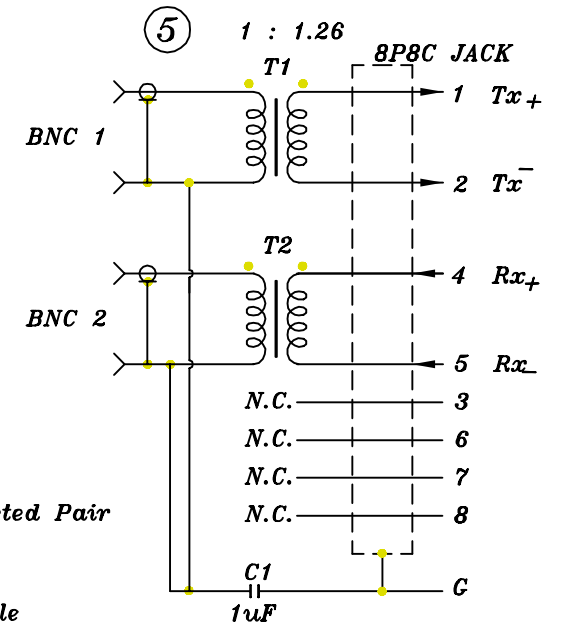
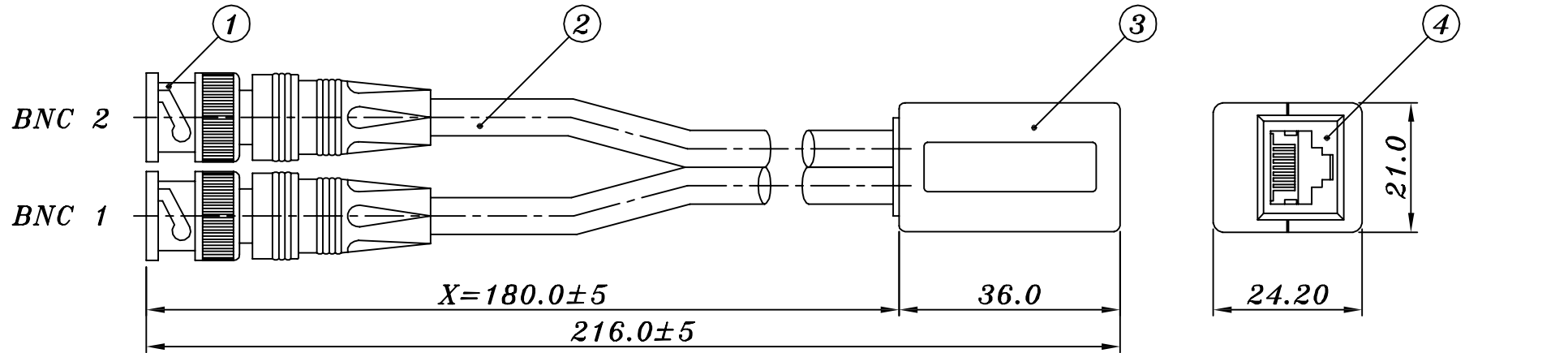


Figure 1

| REV. | DESCRIPTION | DATE | APPROVED |
|------|-------------|------|----------|
| | | | |



*Data Rates to 2.048 Mbps
 *75 Ohm Dual Coax to 120 Ohm Twisted Pair
 *Bi-Directional Signal Conversion
 *No AC Power or Batteries Needed
 *Female Coax BNC Connectors Available

| ITEM | Q'TY | DESCRIPTION | REMARK | MATERIAL | FINISH | CONTRACT NO. | APPROVALS | DATE | SIZE | FSC# NO. | DWG NO. | REV. |
|------------|------|--|--------|------------------------------------|--------|--------------|-----------|-------------|------|--------------|------------|------|
| 5 | 1SET | PCB SET (TRANSFORMER 1 : 1.26 *2,C1 1µF) | | | | | | | A4 | | B166M263XS | |
| 4 | 1SET | PCB TYPE SHIELDED JACK,GOLD 50"u | | GLASS FILLED POLYESTER UL 94V-0 | | | CHUNG | 04/01 05 | | | | |
| 3 | 1SET | PLASTIC SET (TOP,BOTTOM&SIDE COVER) | | ABS UL 94V-0 | | | | | | | | |
| 2 | X | RG59 B/U COAXIAL CABLE | | | | | | | | | | |
| 1 | 2SET | BNC MALE MOLDING TYPE | | NICKEL(100u"-150u") | | | | | | | | |
| PARTS LIST | | | | DO NOT SCALE DWG. | | | | SCALE 1 : 1 | | SHEET 1 OF 1 | | |

Test reports

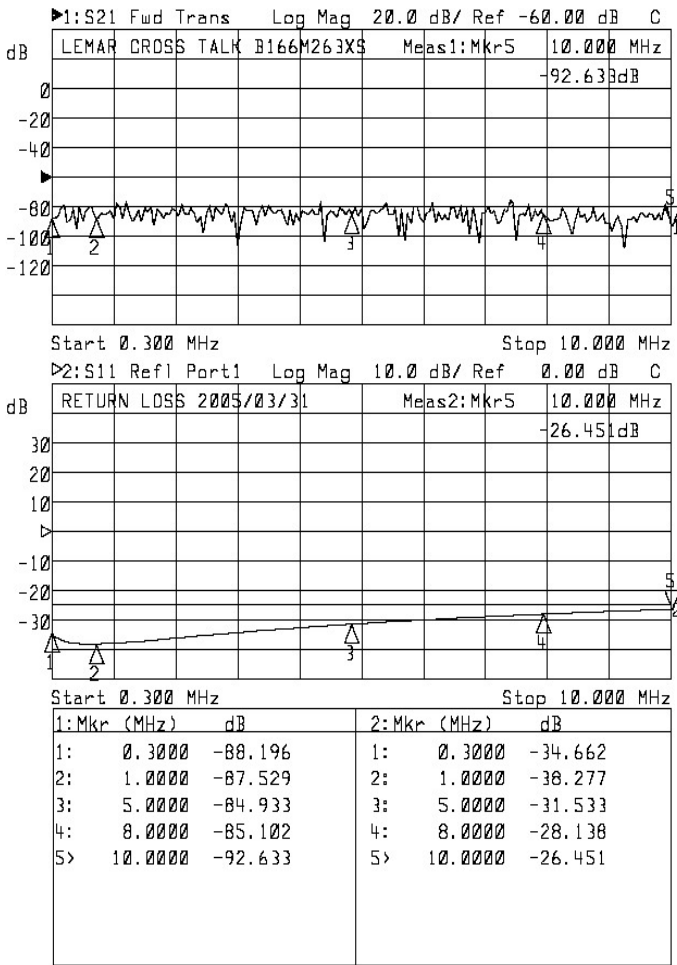


Figure 2

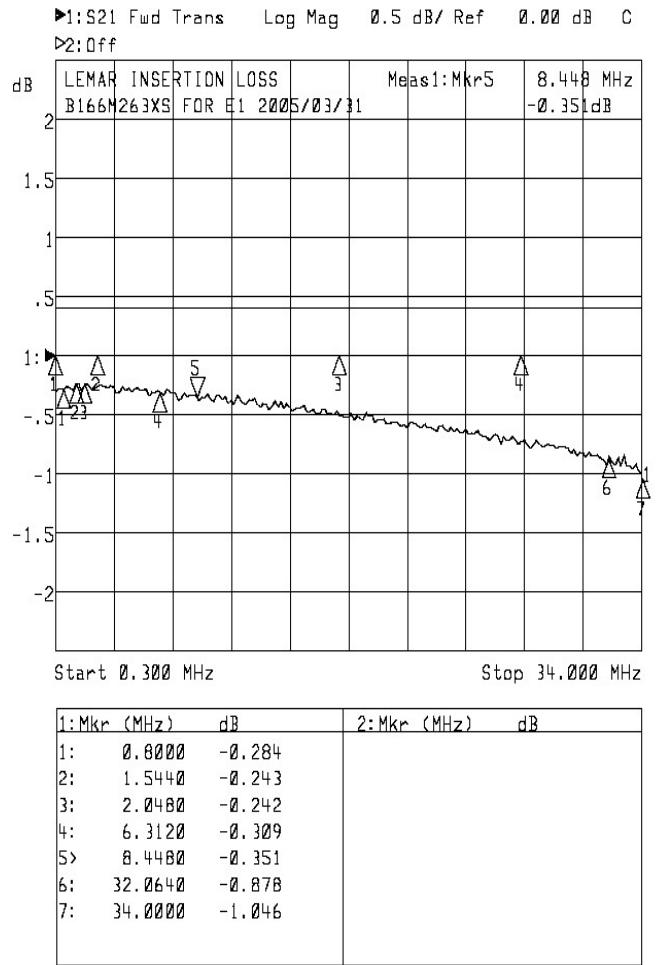
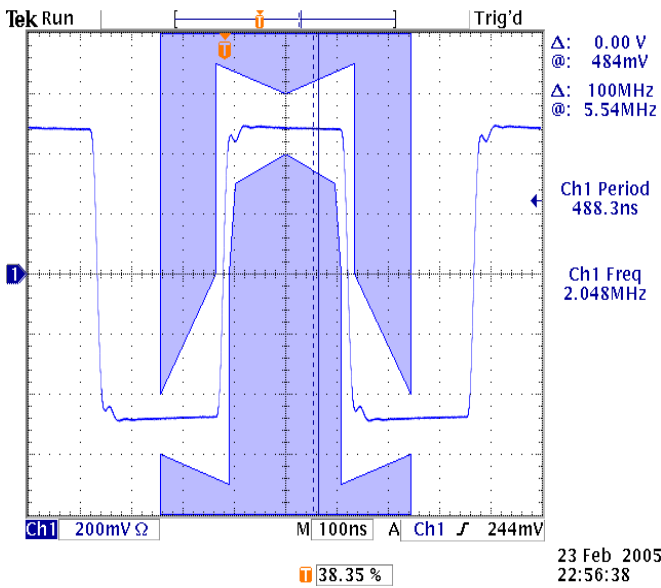
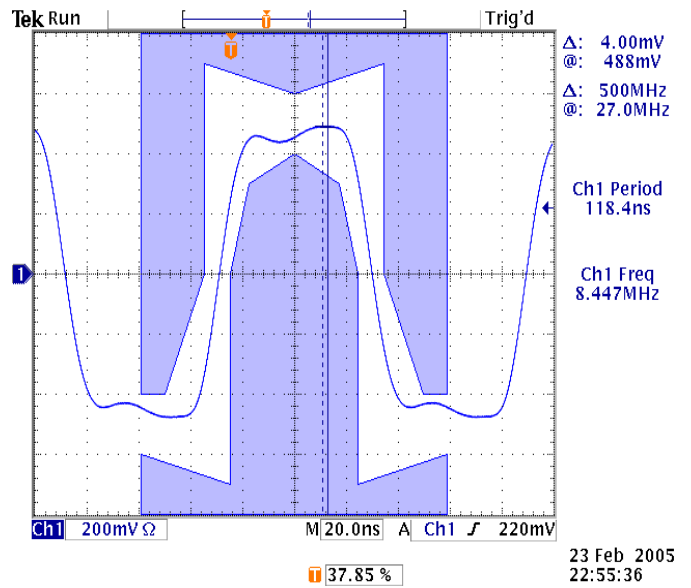


Figure 3



G.703 spec mask(2.048Mbps)

Figure 4



G.703 spec mask(8.448Mbps)

Figure 5