



BNC MALE TO RJ45 SHIELDED JACK BALUN

ELECTRICAL:

Exceeds ITU G.703 requirements .

Impedance matching : 75 ohms to 120 ohms .

Data transmitted rates : 2-8Mbps for E1-E2 .

Return Loss : -29db for 2Mbps , -21db for 8Mbps .

Insertion Loss : -0.2db for 2Mbps , -0.3db for 8Mbps .

Both directional conversion .

No AC power or batteries needed .

Operating Temperature : 0-70°C .

MATERIALS :

NO	Q'TY	DESCRIPTION	FINISH
1	1	BNC MALE SOLDER TYPE	NICKEL(100u''~150u'')
2	1	PLASTIC SET (TOP,BOTTOM&SIDE COVER)	ABS UL94V-0
3	1	PCB TYPE SHIELDED JACK,GOLD 50u''	CLASS FILLED POLYESTER UL94V-0
4	1	PCB SET (TRANSFORMER 1:1.26 , C1 1uF)	

Table 1

SCHEMATIC DIAGRAM :

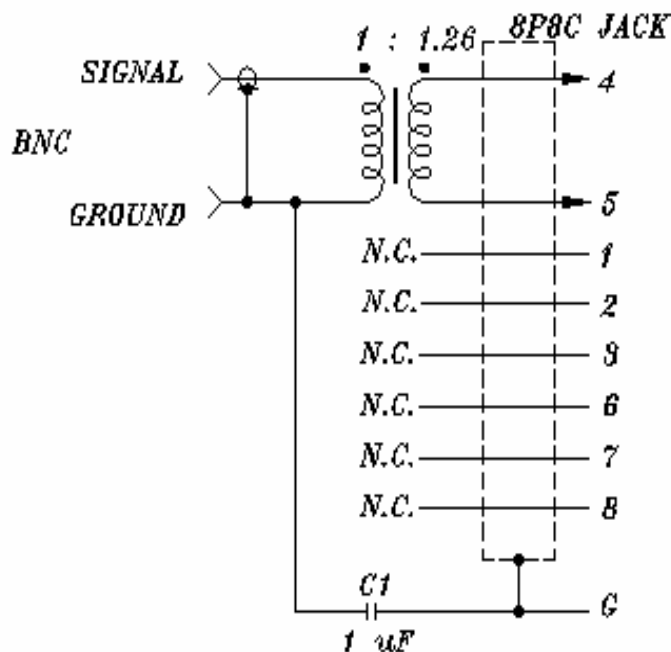
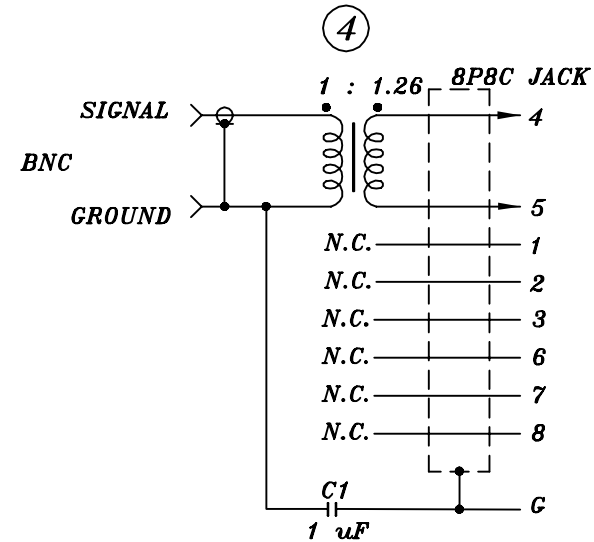
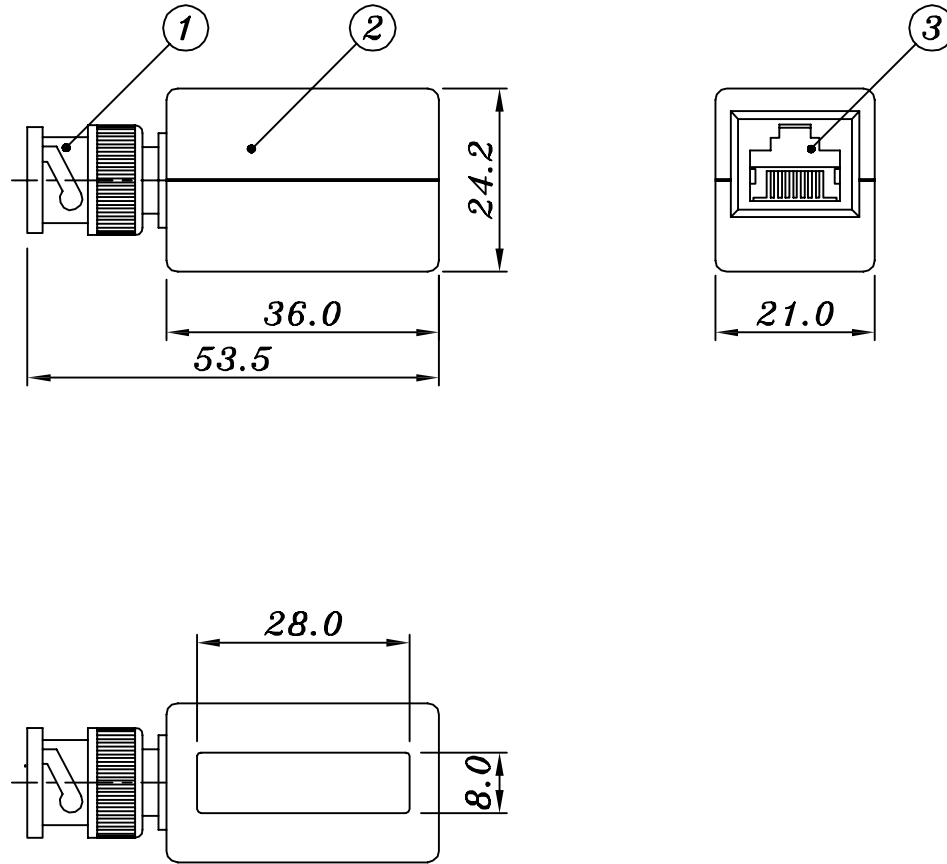


Figure 1

REV.	DESCRIPTION	DATE	APPROVED



- *Data Rates to 2.048 Mbps
- *75 Ohm Dual Coax to 120 Ohm Twisted Pair
- *Bi-Directional Signal Conversion
- *No AC Power or Batteries Needed
- *Female Coax BNC Connectors Available
- *Ultra-Miniature Enclosure

ITEM	Q'TY	DESCRIPTION	REMARK	UNLESS OTHERWISE SPECIFIED DIMENSIONS ARE IN INCHES mm TOLERANCE ARE: FRACTIONS DECIMALS ANGLES X ±0.1 .XX ±0.05	CONTRACT NO.	LEMAR ENTERPRISES CO.LTD					
4	1SET	PCB SET (TRANSFORMER 1 : 1.26,C1 1uF)									
3	1SET	PCB TYPE SHIELDED JACK,GOLD 50u"	CLASS FILLED POLYESTER UL 94V-0			APPROVALS	DATE	G.703 BALUN FOR E1(75Ω:120Ω) BNC MALE TO RJ45 SHIELDED JACK			
2	1SET	PLASTIC SET (TOP,BOTTOM&SIDE COVER)	ABS UL 94V-0	MATERIAL		DRAWN	04/06 05'				
1	1SET	BNC MALE SOLDER TYPE	NICKEL(100u"-150u")	FINISH		CHECKED					
						ISSUED		SIZE	FSCH NO.	DWG NO.	REV.
PARTS LIST				DO NOT SCALE DWG.				A4		B160M203XS	
								SCALE	1 : 1	SHEET	1 OF 1

Test reports

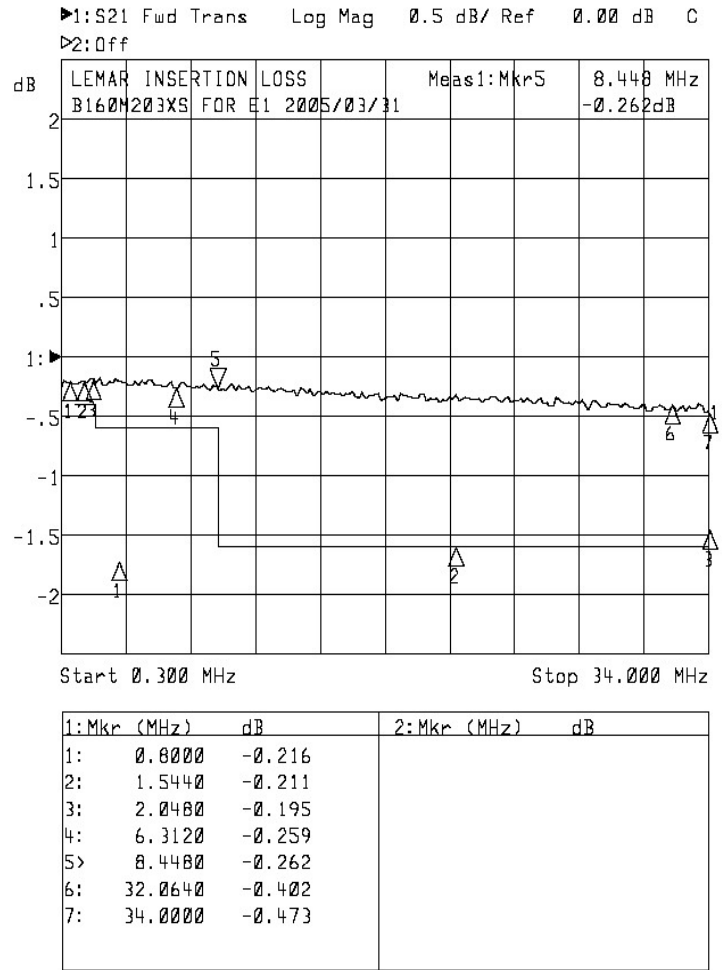
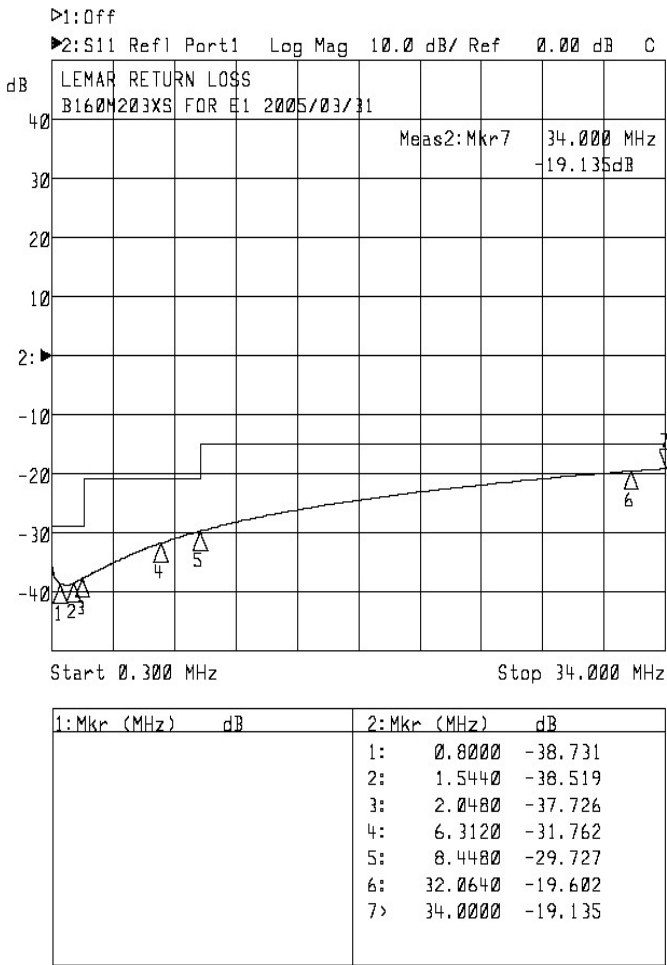
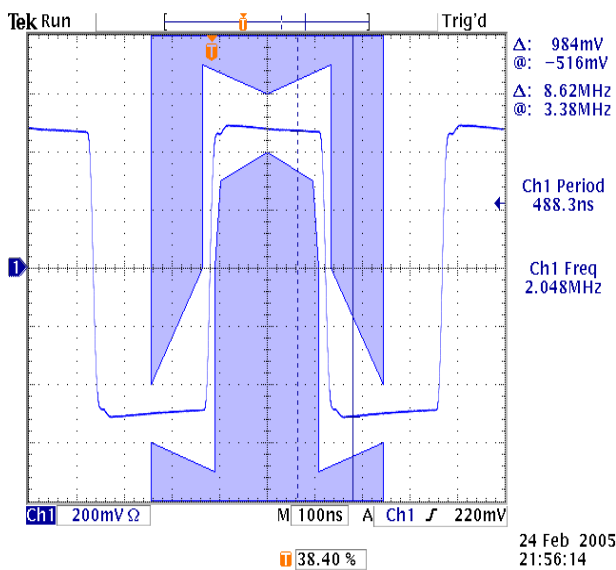


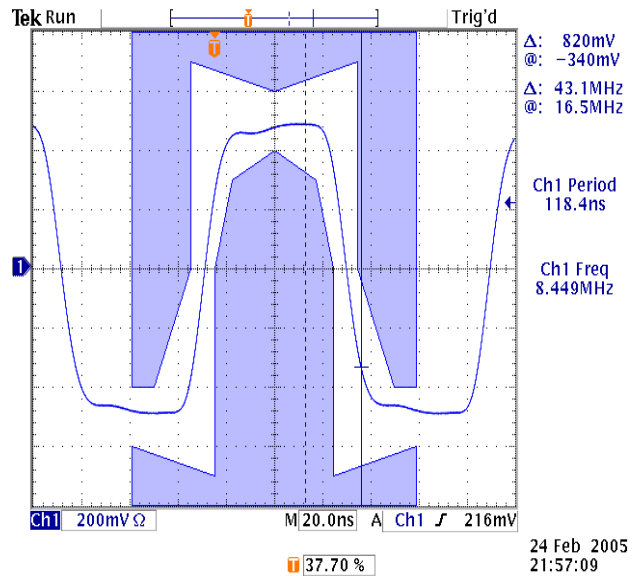
Figure 2

Figure 3



G.703 spec mask(2.048Mbps)

Figure 4



G.703 spec mask(8.448Mbps)

Figure 5